

Maibec® Pre-Assembled Strip Installation Guide

Read this entire guide before installing your shingle strips. For proper installation, you must understand and follow all requirements and steps correctly. Apply **touch-up stain** to all cut or planed surfaces and to all bare wood. For details on touch-up requirements, please refer to the Maibec Installation Guide for Individual Shingles. For any questions, please contact Maibec's technical service toll-free at 1 800 363-1930, Monday to Friday from 8:30 a.m. to 4:30 p.m. (Eastern Time).

IMPORTANT: COMPLIANCE WITH MAIBEC'S INSTALLATION, STORAGE AND MAINTENANCE REQUIREMENTS, AND WITH ALL APPLICABLE BUILDING CODES IS MANDATORY. PROBLEMS CAUSED BY FAILURE TO COMPLY WITH THESE REQUIREMENTS AND CODES MAY NOT BE COVERED BY THE APPLICABLE WARRANTIES.

Store boxes of pre-assembled strips in an unheated, dry and ventilated area. Leave boxes on pallet. Do not store the material in direct contact with the ground. Always cover the uninstalled material after a day's work. Preassembled shingle strips can only be installed to exterior wall surfaces.

Strips have one side that is smoother and more uniform than the other. Be sure to install them with this side facing outward.

It is recommended to order a portion of the required quantity as individual shingles in order to reduce material waste when installing around windows and doors, in gables and corners.

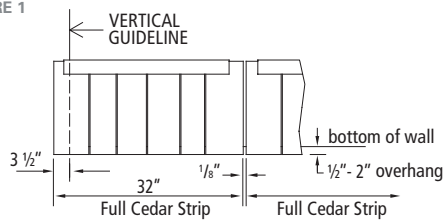
All dimensions in this document are given in inches.

1. UNDERCOURSE

A) VERTICAL GUIDELINE

Shift the undercourse strip 3 1/2" beyond the vertical guideline. **NOTE:** Install the undercourse 1/4" to 1/2" above the buttline of the first course.

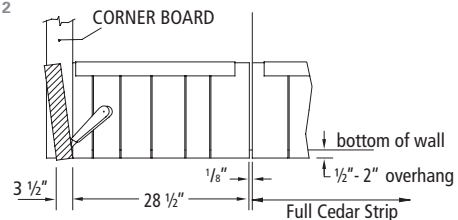
FIGURE 1



B) CORNER BOARD

Trim 3 1/2" to butt against a corner board. Continue installing undercourse strips along the wall. **NOTE:** Install the undercourse 1/4" to 1/2" above the buttline of the first course.

FIGURE 2



2. SUCCESSIVE COURSE PATTERN

A) VERTICAL GUIDELINE

The exposure for shingles is 5" (127 mm) but can vary between 1/8" to 1/4" depending on the height of the wall and the window positions. Install strips following the three course sequence shown below to maintain offset shingle joints (keyway) through the three courses.

FIRST COURSE:

Align full strip with guideline.

SECOND COURSE:

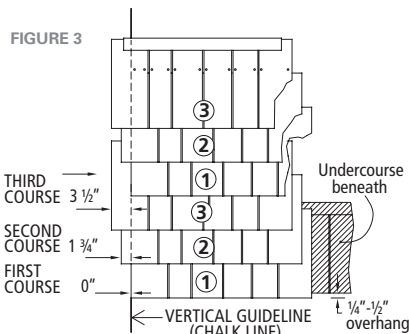
Shift full strip 3 3/4" from guideline.

THIRD COURSE:

Shift full strip 3 1/2" from guideline.

Repeat sequence.

FIGURE 3



B) CORNER BOARD

Install strips following the three course sequence shown above when starting courses against a corner board.

FIRST COURSE:

Align full strip with corner board.

SECOND COURSE:

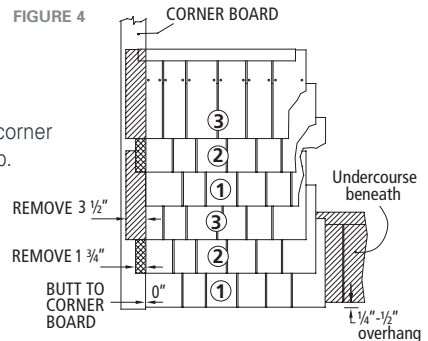
Trim 1 3/4" from the corner board side of the strip.

THIRD COURSE:

Trim 3 1/2" from the corner board side of the strip.

Repeat sequence.

FIGURE 4

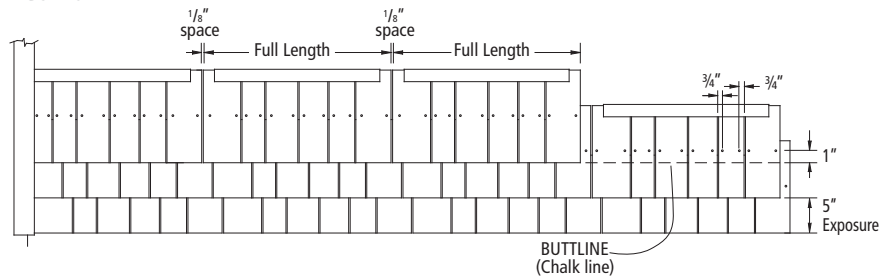


3. INSTALLING FIELD COURSES

Snap a chalk line for each course to align the strips. Space strips at a nominal distance of 1/8" apart. Align the butt edge of the strips with the chalk line and fasten.

Always use full strips when running out courses to keep the shingle joint offset. Follow the fastening pattern as shown in figure above.

FIGURE 5

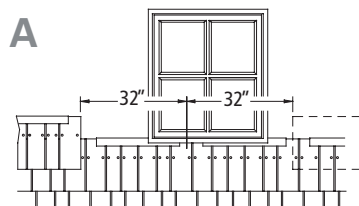


LOCATE FASTENERS: 3/4" from each edge and 1" above the buttline of next course.

HANDY TIPS FOR INSTALLING CEDAR STRIPS

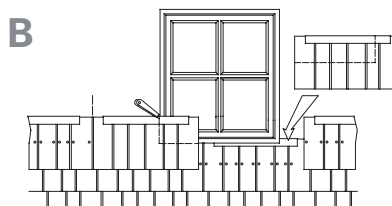
SHINGLING AROUND AN OPENING

FIGURE 6



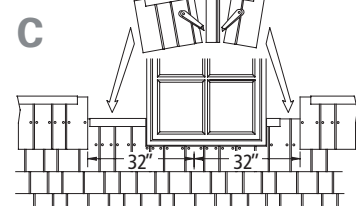
Skip the strips on either side of windows, doors or other obstructions and fill in the shingles after finishing out the course to the end of the wall.

FIGURE 7



Make certain to continue the 32" spacing of the strips to maintain offset shingle joints offset between courses. Use a gauge stick marked out in 32" increments to quickly mark strip spacings around openings.

FIGURE 8



Use loose shingles or portions of strips to fill in spaces around openings.

WEAVING CORNERS

Use loose shingles to weave outside corners before installing strips.

TIP: Select or precut shingles to establish a three course offset pattern of 1 3/4" per course.
OR Fill in the space between the vertical guideline and the corner with loose shingles.

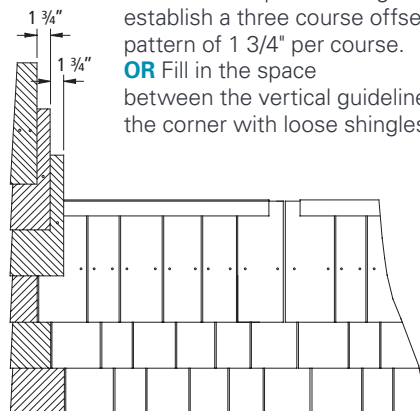
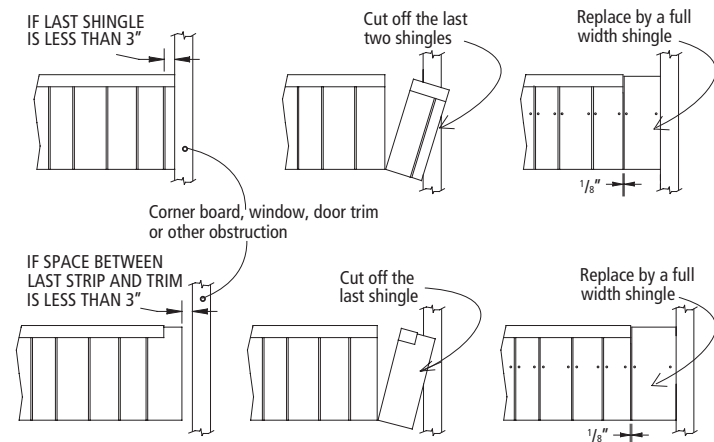


FIGURE 9

ENDING SHINGLES

Make certain the end shingle is at least 3" wide against a corner board, window or door trim, or other construction.

FIGURE 10



IMPORTANT: COMPLIANCE WITH MAIBEC'S INSTALLATION, STORAGE AND MAINTENANCE REQUIREMENTS, AND WITH BUILDING CODES APPLICABLE IN YOUR REGION IS MANDATORY. PROBLEMS CAUSED BY FAILURE TO COMPLY WITH THESE REQUIREMENTS AND CODES MAY NOT BE COVERED UNDER APPLICABLE WARRANTIES.

1 800 363-1930
maibec.com

202 - 1984, 5^e Rue, Lévis QC
G6W 5M6 Canada