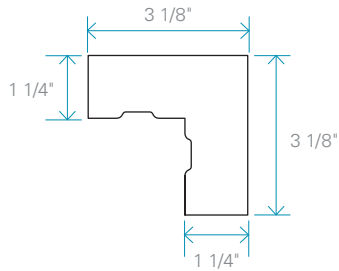
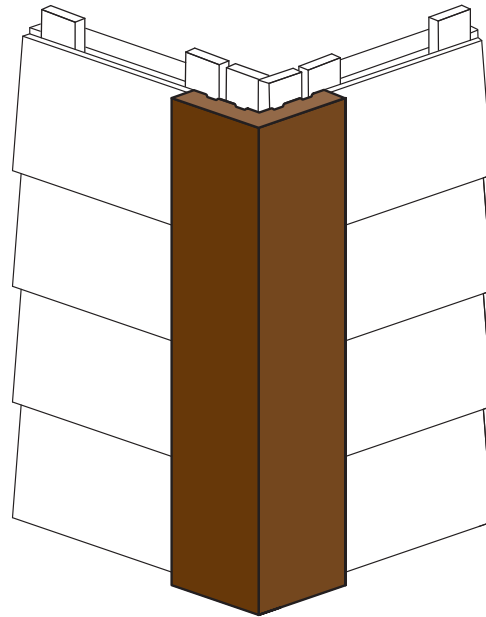
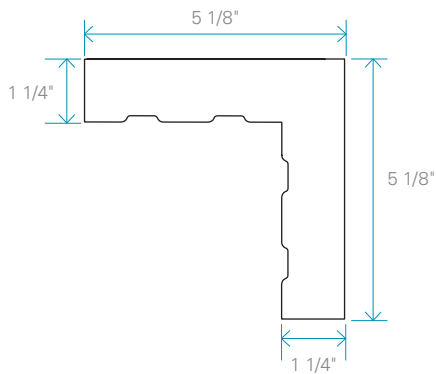


Maibec 1 Piece Corner

4"



6"



NOMINAL DIMENSIONS	FINISH	ACTUAL DIMENSIONS	INSTALLATION
4"	Textured	3 1/8" x 3 1/8" x 10'	Vertically
6"	Textured	5 1/8" x 5 1/8" x 10'	Vertically

General Specifications

SPECIES

- Spruce - Fir (SPF) / Sound tight knot

MANUFACTURING

- Kiln-dried (KD) between 12% to 16% humidity.
- Available in a textured finish.

PACKAGING

- Piece of 10 ft. (3,05 m).
- Sold by pair (2 x 10 feet).

AVAILABLE COLOURS

Textured finish

- Solid colours (2 coats). Unlimited choice of solid colours, with our TrueMatch® system.
- This moulding is not available in natural tones. However, it is available in the equivalent solid colours.

FACTORY-STAINING

- The stain is factory-coated on all six sides in a controlled environment for maximum stain absorption and retention. This also provides increased protection from the damaging effects of the sun and the elements.
- Low-volatile organic compounds (VOCs) water-based stains.



FSC® mixed sources certified siding available upon request.

For exterior use only.

Maibec 1 Piece Corner (cont'd)

Installation System

NAILS

- Use Maibec 3" hot-dipped zinc galvanized or stainless steel flat textured head ring shank nails that are corrosion resistant and colour-matched to the siding or for the first and last course.
- A plastic hammer end cap is provided to protect the wood.
- 10 lbs needed per 1,000 lin ft.

For the Îles-de-la-Madeleine and coastal regions†, see the Installation guide available on our website at maibec.com under the SUPPORT tab.

Installation

Maibec® mouldings must be installed over a standard 16" (406 mm) on centre stud built wall with OSB (Oriented Strand Board) sheathing or plywood, and an approved breather membrane. Use 1" x 3" (25 x 76 mm) furring strips. They must be kiln-dried, straight, without splits

or nail holes to ensure a proper fastening base. Consult the building codes applicable in your region. See the Installation guide available on our website at maibec.com under the SUPPORT tab.

How to Calculate

Add a minimum of 5% to the amount for losses due to cutting.

WARRANTY* – SIDING TEXTURED FACE



* SOME RESTRICTIONS APPLY. SEE DETAILED WARRANTIES.

† APPLICABLE COASTAL REGIONS INCLUDE THOSE LOCATED LESS THAN 600 M (2,000 FEET) FROM THE COASTLINE IN THE ATLANTIC PROVINCES (NEW BRUNSWICK, PRINCE EDWARD ISLAND, NOVA SCOTIA, NEWFOUNDLAND AND LABRADOR), SAINT-PIERRE-ET-MIQUELON, AND IN THE U.S. EAST COAST STATES.

® REGISTERED TRADE-MARK PROPERTY OF MAIBEC INC. ™ TRADE-MARK PROPERTY OF MAIBEC INC.
© COPYRIGHT - MAIBEC INC. PRINTED IN CANADA JANUARY 2017 E1717376A