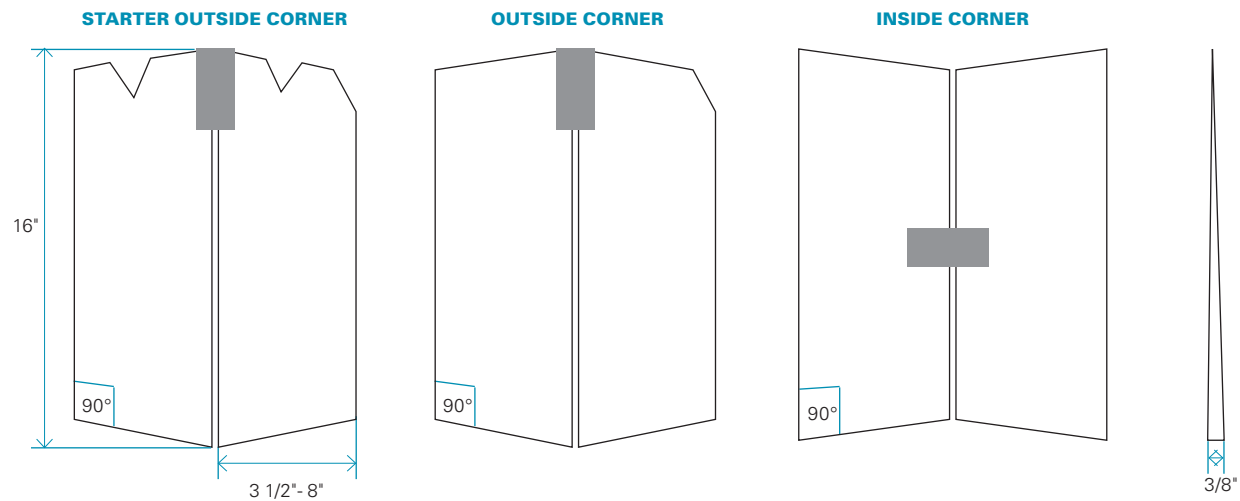


Maibec[®] Woven Corner

RESQUARED AND REBUTTED. NATURAL (KILN DRIED) OR FACTORY-STAINED.



STAIN	BUTT THICKNESS	WIDTH	NOMINAL LENGTH	INSTALLATION
Solid stain	3/8"	3 1/2" - 5" to 6" - 8"	16"	Sidewall use
Semi-transparent Spice series	3/8"	3 1/2" - 5" to 6" - 8"	16"	Sidewall use
H2BO water-based bleaching stain - 1 coat	3/8"	3 1/2" - 5" to 6" - 8"	16"	Sidewall use

General Specifications

SPECIES:

- Eastern White Cedar – *Thuja occidentalis*

MANUFACTURING

- Stellite-tipped blades: minimize raised grain
- Kiln-dried to 12% - 16% moisture content

PACKAGING AND COVERAGE

- 24 outside or inside corners per box, 10 linear feet/box at 5" exposure.
- 1 starter corner per box. The starter outside corner is identified by a V-shaped notch near the top and a strip of green tape along the bottom. The starter inside corner features only the lower strip of green tape.
- Equal amount of narrow shingle corners (3 1/2-5') and wide shingle corners (6-8") in every box.

AVAILABLE COLORS

- Maibec solid stain color chart (one or two coats)
- Semi-transparent Spice series
- Unlimited choice of solid colors thanks to our TrueMatch[®] system (one or two coats)
- H2BO water-based bleaching stain (one coat)

FACTORY-STAINING

- Every shingle is factory-coated on all sides in a controlled environment for maximum stain absorption and retention. This also provides increased protection from the damaging effects of the sun and the elements.

- Following the stain application, the shingles are sent through a state of the art drier for curing. The product of European technology, this drier cures the stain from the inside out. The shingles are then cooled down and packaged. This unique system increases the durability of the product once installed.
- Low-volatile organic compounds (VOCs) water-based stains.



FSC[®] mix certified shingles available upon request.

For exterior use only.

* DIMENSIONS MAY VARY DUE TO KILN-DRYING.

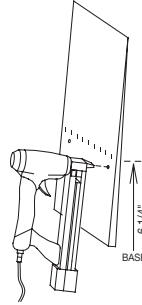
Maibec® Woven Corner

Preparing the Wall for Installation

FASTENING REFERENCE LINE

Maibec shingles feature a fastening reference line found 6 1/4" from the base of the shingle. For the 5" required shingle exposure, fasten just below the reference line to respect the installation requirement. Each individual shingle is marked on one side.

See the Maibec Shingles installation guides to know all installation requirements.



Installation System

STAPLES

- Stainless steel or aluminum staple with minimum 7/16" crown, minimum 16 gauge
- Two fasteners per shingle, regardless of its width

NAILS

- Stainless steel or hot dipped galvanized
- Ring shank blunt tip nail with minimum 7/32" head
- Two fasteners per shingle, regardless of its width

How to Calculate

HOW TO CALCULATE THE AMOUNT OF SIDING NEEDED

Example – Area to cover: 1,000 ft²

For 5" exposure, add 3% to the area to cover

$$1,000 \text{ ft}^2 \times 1.03 = 1,030 \text{ ft}^2$$

$$1 \text{ box} = 25 \text{ ft}^2$$

$$1,030 \text{ ft}^2 = 41 \text{ boxes}$$

WARRANTY* – SHINGLES SOLID STAIN

50 YEARS against wood decay
20 YEARS on solid stain 2 coats
10 YEARS on solid stain one coat

7 YEARS on labor on solid stain 2 coats

WARRANTY* – SHINGLES "SPICE" SERIES

50 YEARS against wood decay
3 YEARS on semi-transparent stain 2 coats

3 YEARS on labor

WARRANTY* – SHINGLES H2BO

30 YEARS against wood decay