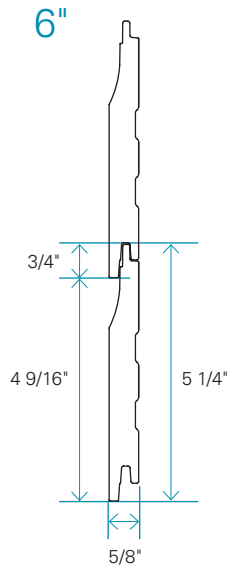


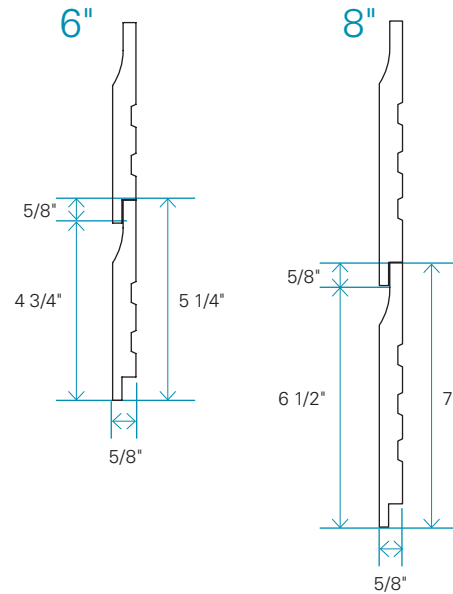
Cove

TEXTURED FINISH

EM+® INSTALLATION SYSTEM



REGULAR INSTALLATION SYSTEM



NOMINAL DIMENSIONS	INSTALLATION SYSTEM	FINISH	ACTUAL DIMENSIONS	OVERLAP	EXPOSED SURFACE	CONVERSION FACTOR	INSTALLATION
6"	Regular	Textured	5/8" x 5 1/4"	5/8"	4 3/4"	1.26*	Horizontally
	em+®	Textured	5/8" x 5 1/4"	3/4"	4 9/16"	1.31*	Horizontally
8"	Regular	Textured	5/8" x 7"	5/8"	6 1/2"	1.23*	Horizontally

General Specifications

SPECIES

- Spruce - Fir (SPF) / Sound tight knot

MANUFACTURING

- Kiln-dried (KD) between 12% to 16% humidity.
- Available in a textured finish.

PACKAGING

- 4' to 16' (1.22 m to 4.88 m) random lengths in bundles.

AVAILABLE COLOURS

Textured finish

- Maibec Natural tones.
- Solid colours (2 coats). Unlimited choice of solid colours, with our TrueMatch® system.

FACTORY-STAINING

- The stain is factory-coated on all six sides in a controlled environment for maximum stain absorption and retention. This also provides increased protection from the damaging effects of the sun and the elements.
- Low-volatile organic compounds (VOCs) water-based stains.



FSC® mixed sources certified siding available upon request.

For exterior use only.

* SEE THE CALCULATION METHOD UNDER THE SUPPORT TAB MAIBEC.COM

Cove

Installation System

STAPLES (FOR EM+® INSTALLATION SYSTEM)

- The siding is fastened to the wall using 2", 7/16" crown, 16 gauge, resin-coated stainless steel SUS 304 staples. The list of recommended pneumatic staplers is available on our website at maibec.com under the SUPPORT tab.
- 3,000 staples (1 box) needed per 1,000 fbm.

NAILS

- Use Maibec 2" hot-dipped zinc galvanized or stainless steel flat textured head ring shank nails that are corrosion resistant and colour-matched to the siding or for the first and last course.
- A plastic hammer end cap is provided to protect the wood.
- 10 lbs needed per 1,000 fbm.

For the Îles-de-la-Madeleine and coastal regions†, see the Installation guide available on our website at maibec.com under the SUPPORT tab.

Installation

Maibec® siding must be installed over a standard 16" (406 mm) on centre stud built wall with OSB (Oriented Strand Board) sheathing or plywood, and an approved breather membrane. Use 1" x 3" (25 x 76 mm) furring strips. They must be kiln-dried, straight, without splits

or nail holes to ensure a proper fastening base. Consult the building codes applicable in your region. See the Installation guide available on our website at maibec.com under the SUPPORT tab.

Complementary accessories

METAL OUTSIDE CORNER

With its sleek design, our metal outside corner is the perfect finishing touch for the Maibec URBANH™ Series. Made of aluminium, it comes in 10' lengths.

METALLIC STARTER TRIMS

Stainless steel vent trim installed over the strapping. Serves as an anti-rodent barrier, provides proper ventilation to the wall while also eliminating the use of nails on the starter course of Maibec em+® siding. Can also be used with regular siding. Comes in 10' lengths.

MAIBEC EM+® STAPLER GUIDE

Compatible only with HITACHI™‡ N5008 (AC 1" and AC 2"), MAKITA™‡ (AT1150A), SENCOTM‡ (SNS50XP, SNS45XP, SNS44XP) staplers.

WARRANTY* – SIDING TEXTURED FACE



* SOME RESTRICTIONS APPLY. SEE DETAILED WARRANTIES.

† APPLICABLE COASTAL REGIONS INCLUDE THOSE LOCATED LESS THAN 600 M (2,000 FEET) FROM THE COASTLINE IN THE ATLANTIC PROVINCES (NEW BRUNSWICK, PRINCE EDWARD ISLAND, NOVA SCOTIA, NEWFOUNDLAND AND LABRADOR), SAINT-PIERRE-ET-MIQUELON, AND IN THE U.S. EAST COAST STATES.

‡ THE MENTIONED TRADE-MARKS ARE THE PROPERTY OF THEIR RESPECTIVE OWNERS.

© REGISTERED TRADE-MARK PROPERTY OF MAIBEC INC. TM TRADE-MARK PROPERTY OF MAIBEC INC.
© COPYRIGHT - MAIBEC INC. PRINTED IN CANADA FEBRUARY 2016 A1616298A