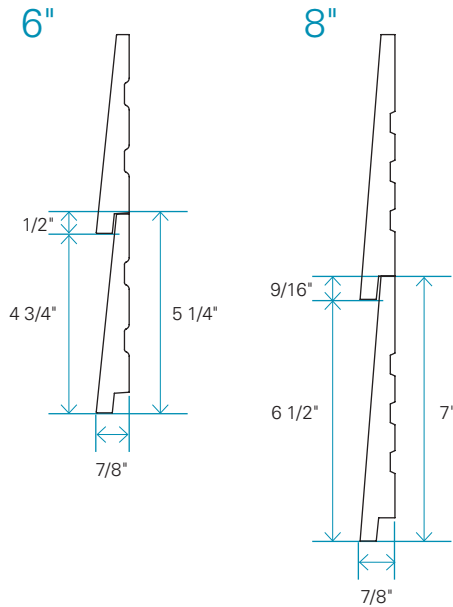


Rabbeted Bevel

TEXTURED FINISH

MAIBEC URBAHN® BRUSHED-FACE FINISH

INSTALLATION NAILED ON FURRING STRIPS



NOMINAL DIMENSIONS	INSTALLATION SYSTEM	FINISH	ACTUAL DIMENSIONS	EXPOSED SURFACE	OVERLAP	CONVERSION FACTOR*	INSTALLATION
6"	Nailed on furring strips	Textured and Maibec URBAHN® brushed-face	7/8" x 5 1/4"	4 3/4"	1/2"	1.26*	Horizontally
8"	Nailed on furring strips	Textured	7/8" x 7"	6 7/16"	9/16"	1.23*	Horizontally

General Specifications

SPECIES

- Spruce - Fir (SPF) / Sound tight knot

MANUFACTURING

- Kiln-dried (KD) between 12% to 16% humidity
- Available in a textured finish and Maibec URBAHN® brushed-face finish

PACKAGING

- 4' to 16' random lengths in bundles

AVAILABLE COLORS

Textured finish

- Selection of solid colors (2 coats)
- Maibec Natural tones

Maibec URBAHN® brushed-face finish

- Selection of solid colors (2 coats)

FACTORY-STAINING

- The stain is factory-coated on all six sides in a controlled environment for maximum stain absorption and retention. This also provides increased protection from the damaging effects of the sun and the elements.
- Low-volatile organic compounds (VOCs) water-based stains.



The mark of responsible forestry

FSC® mix certified siding available upon request.

For exterior use only.

* TO CONVERT SQUARE FEET TO FBM, SEE THE CALCULATION METHOD UNDER THE SUPPORT TAB AT MAIBEC.COM/US

Rabbeted Bevel

Preparing the Wall for Installation

Maibec® trim must be installed over a standard 16" on centre stud built wall with OSB (Oriented Strand Board) sheathing or plywood, and an approved weather barrier. Use 1" x 4" furring strips (1" x 3" strips are acceptable). They must be kiln-dried, straight, without splits or nail

holes to ensure a proper fastening base. Consult the applicable building codes in your region. See the Installation guide available on our website at maibec.com/us under the SUPPORT tab.

Installation System

FURRING STRIPS

Maibec® siding must be installed over a standard 16" on center stud built wall with OSB (Oriented Strand Board) sheathing or plywood, and an approved weather barrier. Use 1" x 4" furring strips (1" x 3" strips are acceptable). They must be kiln-dried, straight, without splits or nail holes to ensure a proper fastening base. Consult the applicable building codes in your region. See the Installation guide available on our website at maibec.com/us under the SUPPORT tab.

NAILS

- Use Maibec 2" hot-dipped zinc galvanized ring shank nail with textured head, factory-stained to match the siding color.
- Use 2 1/2" coil nails for pneumatic nailers for siding. Make sure to check nail gun compatibility. Not color-matched.
- Use unstained stainless steel grade 316 ringed nails if installing Maibec siding in Coastal regions†.
- A plastic hammer end cap is provided to protect the wood.
- 10 lbs needed per 1,000 fbm.

Complementary accessories

VENTILATED STARTER STRIP

Galvanized ventilated strip for horizontal siding. Provide ventilation and drainage while preventing insects and rodents from penetrating behind the wall. Use it with regular siding to easily and level the starter course.

How to Calculate

To calculate the amount of siding needed consult the Support/Installation guide tab at maibec.com/us. Add 3% for losses due to cutting.



* SOME RESTRICTIONS APPLY. SEE DETAILED WARRANTIES.
† COASTAL REGIONS ARE DESCRIBED AS LOCATED LESS THAN 3,000 FEET FROM THE COASTLINE.
© REGISTERED TRADEMARK PROPERTY OF MAIBEC INC. © COPYRIGHT - MAIBEC INC. FEBRUARY 2018 A1618445A