

Installation Guide

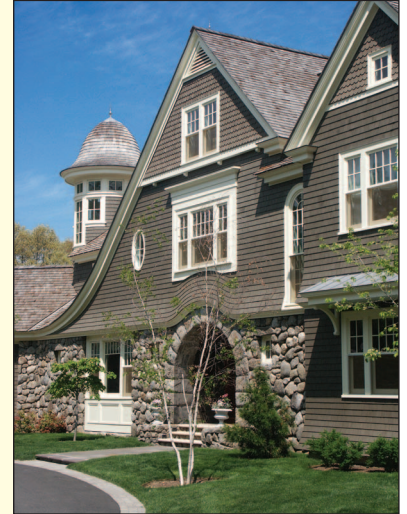
Before you begin, take the time to read this entire guide to clearly understand the requirements and steps to follow for proper installation.

i Warning

The specifications in this guide apply to the installation of factory-stained white cedar shingles to exterior wall surfaces only.

Do not install defective material. **maibec** will only replace defective material if notified prior to installation. For more details, contact us.

Before you begin, consult your local building code for the installation requirements for shingle siding, breather membrane (housewrap), caulking, etc. Follow manufacturer's instructions for the breather membrane and caulking.

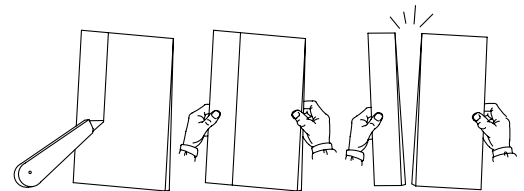


i Storage

- Store the shingle siding in a dry and ventilated area.
- Always cover the uninstalled material after a day's work.
- Leave shingles boxes on pallet. Do not store the material in direct contact with the ground or a cement floor.

1 Cutting Shingles

Since cedar is a soft wood, shingles can be easily cut with a utility knife. Cutting a shingle lengthwise is simple: make a straight cut into its surface, then snap the shingle cleanly along the scored line or use a power saw.

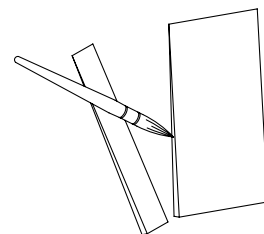


2 Touch-Up

i Apply touch-up on all cuts, planed edges, and small damaged areas.

All bare wood must be touched-up, regardless of whether it is visible or not once installed. Touch-up on cuts must be performed prior to shingle installation. Use a small brush that will ensure better control and a more precise application.

i Touch-up stain is only meant to be used in the area in need of it. It must not, under any circumstance, be applied over non-damaged factory coated material.



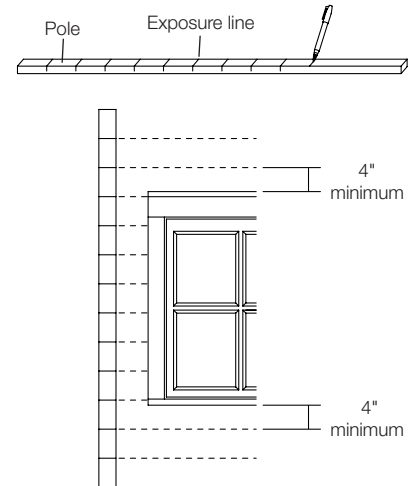
i important : Must be followed. Failure to follow maibec's mandatory installation and storage requirements will void the warranties.

3 Determining Exposure

The exposure is the part of the shingle that you see. **The exposure for shingles is 5" (127 mm) but can vary between 1/8" to 1/4"** depending on the height of the wall and the window positions.

To determine the number of courses needed and the exposure, measure the height of the wall from its lowest point (above the foundations). The butt edge of the first course of shingles must extend at least 1" (25 mm) beyond the foundation, so add 1" (25 mm) to the height of the wall. To determine the number of courses, divide the height of the wall by the exposure (example: 5"). Then calculate back by dividing the height of the wall by the number of courses previously obtained (rounded off) to determine the exact exposure.

Use a wooden pole that is long enough to measure the exposure over several courses. A straight furring strip should do the job. Once marked, place the pole against the wall to check the alignment of the courses with the windows. If possible, the shingle courses should be aligned with window tops and bottoms, or the exposure should be at least 4" (102 mm) in these areas. The last course at the top of the wall should also have at least 4" (102 mm) of exposure. If not, recalculate to get enough exposure, then mark the pole once again. Using the pole, mark the exposure lines on the wall. Keep the pole as a reference while installing the shingles.



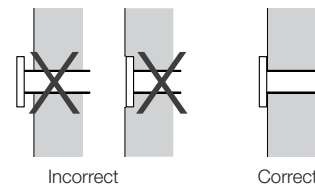
4 Fasteners

i Nails :

- stainless steel or hot dipped galvanized
- ring shank blunt tip nail with minimum 7/32" (5.6 mm) head or

i Staples :

- stainless steel or aluminum staple with minimum 7/16" (11.2 mm) crown, minimum 16 gauge.

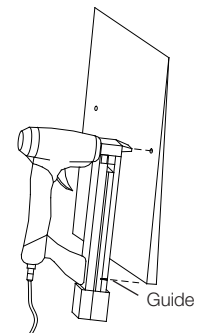


Two fasteners per shingle, regardless of its width.

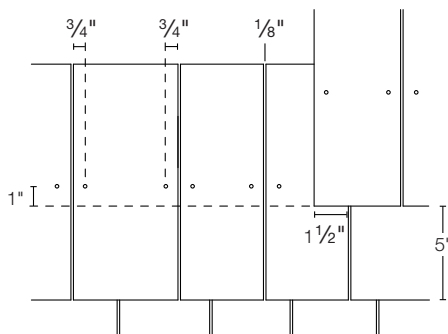
Located 3/4" (19 mm) from each edge and 1" (25 mm) above the butt line of the overlapping shingle.

Must penetrate solid nailable substrate minimum 1/2" (13 mm).

Mark off on the nail gun handle or snap a second chalkline as a reference point to ensure proper nail placement.



5 Exposure and Keyway Spacing

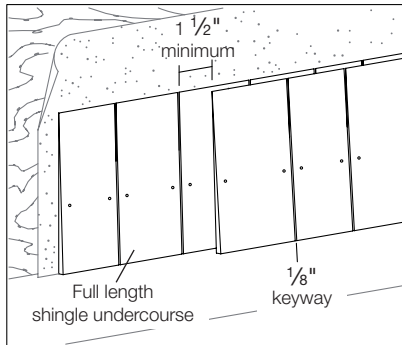


i For walls, use a 5" (127 mm) exposure.

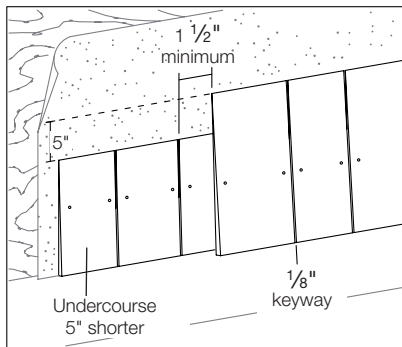
i Leave a keyway space of at least 1/8" (3 mm) between shingles. The edges should not touch. The keyway spacings on consecutive rows must be offset a minimum 1 1/2" (38 mm).

i important : Must be followed. Failure to follow maibec's mandatory installation and storage requirements will void the warranties.

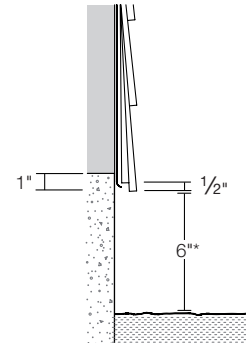
6 The Starter Course



The starter course has two layers of shingles. The easiest method consists of installing 2 courses of full-length shingles one on top of the other, making sure that joints aren't aligned over subsequent courses.



Another method consists of installing the first course using shingles trimmed 5" (127 mm) from the base, then continuing the second course with full-length shingles, making sure that joints aren't aligned over subsequent courses. With this method, all the courses will have the same thickness on the wall.



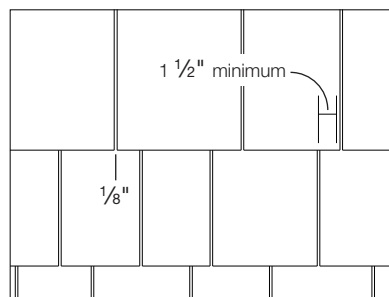
The starter course must extend at least 1" (25 mm) beyond the foundation to keep water off the wall. The second course extends slightly below (1/2" or 13 mm) the starter course to allow water to drip at the base of the shingles by gravity.

i The butt line of the starter course must have a minimum clearance of 6"* (203 mm) with the ground surrounding the building.

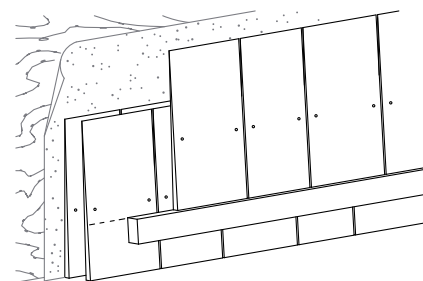
i Allow a minimum clearance of:

- 1" (25 mm) from adjacent horizontal structures (example: deck),
- 1/2" (13 mm) from roof shingles or according to building code.

Subsequent Courses



i Shingles come in random widths, so you must make sure that the joints are not aligned over subsequent courses. Leave a keyway spacing of at least 1 1/2" (38 mm) from the shingles in the previous course. Ideally, no joints should be aligned over three subsequent courses. No joint should occur over a knot.



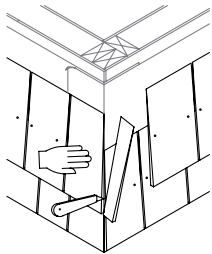
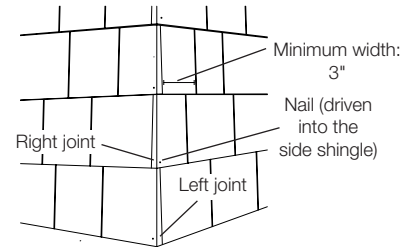
Install subsequent courses in a single layer on the rest of the wall according to the determined exposure. Keep your courses straight and level. To make shingle alignment easier, tack a furring strip beneath the exposure line or make a chalk line.

i important : Must be followed. Failure to follow maibec's mandatory installation and storage requirements will void the warranties.

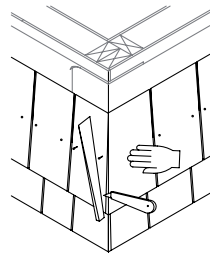
8 Corners Finish Details

The « Boston » Corner (Woven Corner)

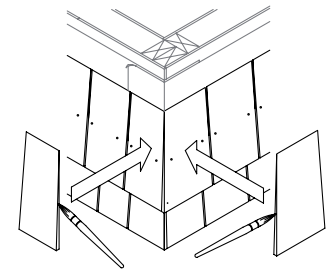
The most common and traditional outside corner trim is made by overlapping shingles so that the joints alternate successively on each side of the corner. Nail the lower corner of the shingle with a ring shank blunt tip nail (Pre-drilling of the shingles be required).



1. Choose a corner shingle that is wide enough to extend beyond the wall. Trim excess cleanly with a utility knife. You can trim it in place using the corner of the wall as a guideline, but for greater precision, you can mark a pencil line on the back of the shingle and cut it flat.



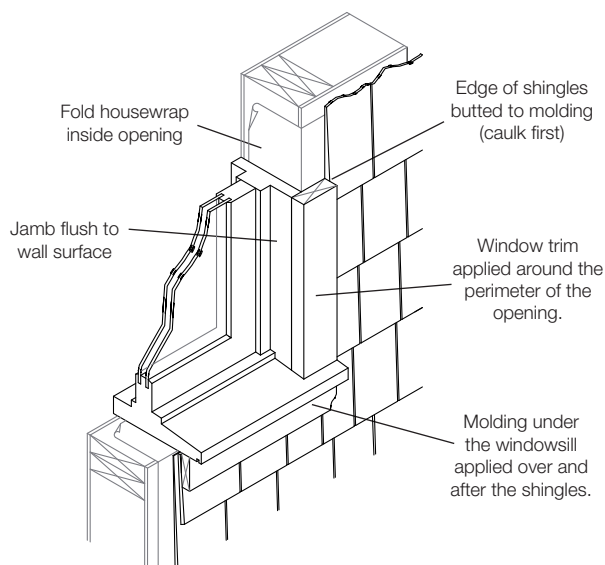
2. Tack the shingle in place while you install a second shingle that also extends beyond the wall on the other side. Trim the shingle, using the first shingle as a guideline. For a smooth finish, use a plane.



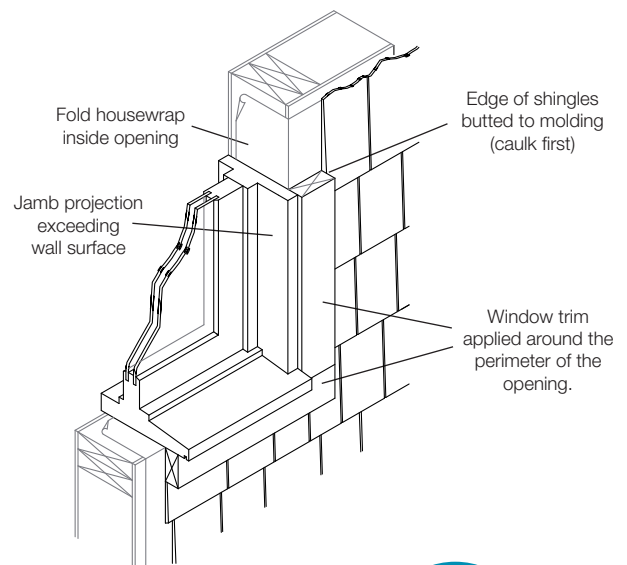
3. Apply touch up stain to the cut edges, then nail the shingles in place according to the nailing recommendations.

9 Window Finish Details

Wood Cased Molding

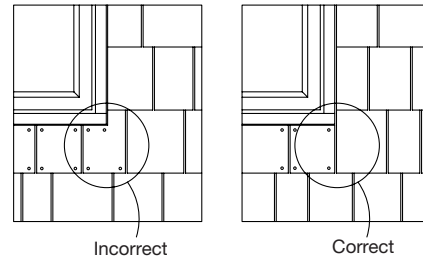


Perimeter Wood Molding



Window Finish Details (Continued)

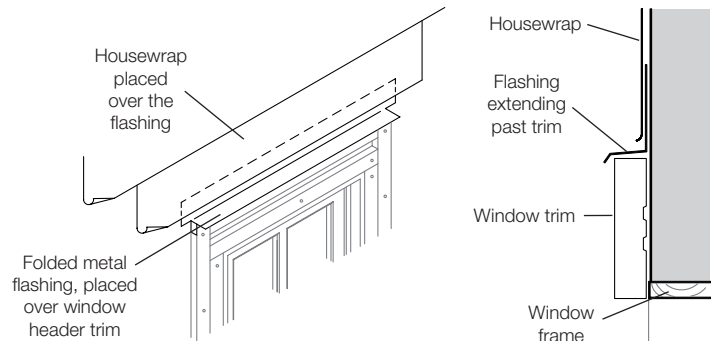
When a shingle is installed against the lower corner of the window opening, the joint must be aligned with the edge of the opening. For greater stability of shingles below openings, apply glue to the back and nail the bottom corners. Pre-drilling of the shingles may be required.



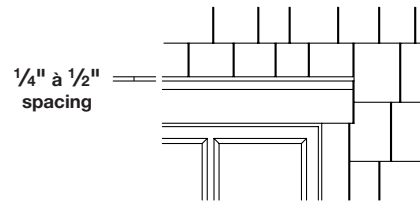
i The Window Header

The window header is a crucial element where water could accumulate and seep behind shingles, which could affect the structural integrity of the window frame.

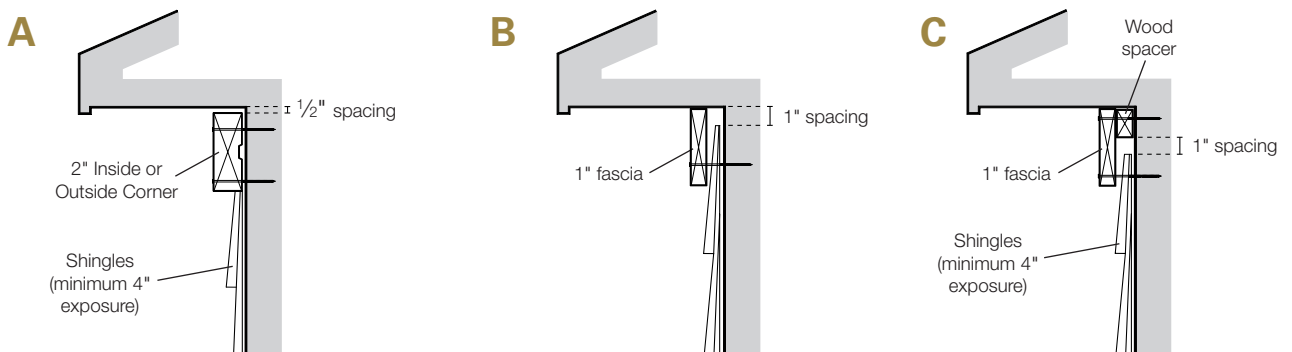
Metal flashing is essential to keep moisture away from the window header. The flashing should extend beyond the trim that will be installed.



Shingles installed above window and door headers must be spaced $\frac{1}{4}$ " (6 mm) to $\frac{1}{2}$ " (13 mm) to ensure proper drainage and airflow.



10 Top of The Wall Finish Details



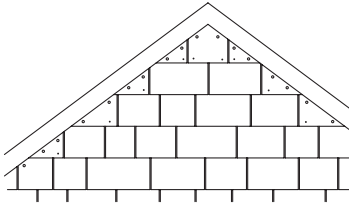
The typical way to finish the top of a wall is to install a molding and have the shingles butt directly to it. This is traditionally done when the shingle course is wide enough, a minimum 4" (102 mm) long shingle is the norm for this type of application. To facilitate airflow at the top of the wall, it is important to leave a $\frac{1}{2}$ " (13 mm) gap between the molding and the soffit.

Another way of finishing the top of a wall is to place a 1" fascia board over the installed shingles. This is typically called « capping ». A wood spacer is sometimes needed behind the fascia trim for a proper flush setting, as is the case with gables. To facilitate air flow behind the molding in this application, it is important to leave a 1" (25 mm) gap between the last shingle and the wood spacer.

i important : Must be followed. Failure to follow maibec's mandatory installation and storage requirements will void the warranties.

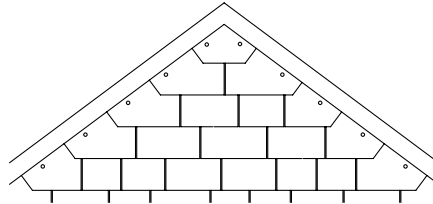
11 Gables

Finishing under sloping soffits such as gables calls for special attention because the remaining triangular shingles have visible nails. These shingles are often narrower and more fragile. You must glue the back, cover with a trim and sometimes nail the lower corner for greater stability and to keep them from curling. There are several ways this can be done.



Cut the shingles at the end of the course on the same angle as the gable. This way the end shingles need fewer nails.

OR 10B (see previous page)

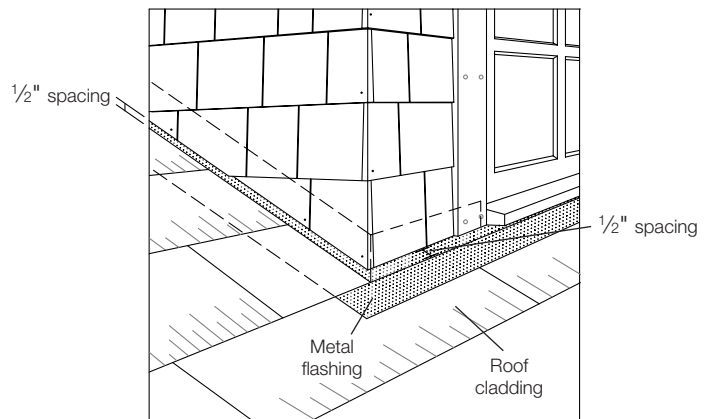


OR Leave the section open at the end of the course.

OR 10C (see previous page)

12 Dormer/Roof Junction Finish Details

- i** The shingle must be spaced at least 1/2" (13 mm) when it ends adjacent to the roof surface (or according to the building code). The spacing is necessary to properly drain water and prevent the build-up of ice against the shingles siding.



Maintenance

- As with all sidings, dirt build-up can occur; this could be due to a number of factors such as surrounding vegetation, dust or air pollution.
- Periodic cleaning can be required. Wash down with a hose or a mild detergent to avoid damaging the stain. Do not use a pressure washer. Contact us for more details.
- **See the maibec Sidings Maintenance Guide for details.**

i important : Must be followed. Failure to follow maibec's mandatory installation and storage requirements will void the warranties.

1.800.363.1930
maibec.com

250 – 1990, 5^e Rue, Saint-Romuald QC G6W 5M6 Canada

