

Installation Guide

Before you begin, take the time to read this entire guide to clearly understand the requirements and steps to follow for proper installation.

i Warning

Do not install defective material. maibec will only replace defective material if it is notified prior to installation. For more details, contact us.

Before you begin, consult your national, provincial and local building codes for requirements regarding the installation of siding, sheathing membrane (housewrap), caulking, etc. Follow the manufacturer's instructions for installing the sheathing membrane and applying caulking.

For more information, consult the Government of Canada's *National Model Construction Codes* at <http://www.nationalcodes.nrc.gc.ca>.

For exterior use only.



i Storage

- Store the siding in a dry and well-ventilated area. Do not place it directly on the ground.
- Always cover any unused siding after a day's work.
- Do not store the siding in a heated space, which can dry out the wood.

1 Wall Preparation

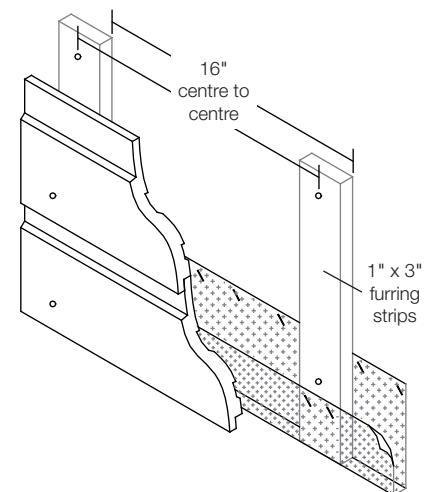
- When installing maibec siding, it is preferable to do so over a standard 16" (406 mm) on centre stud built wall with OSB (Oriented Strand Board) sheathing or plywood, and an approved breather membrane. Use 1" x 3" (25 x 76 mm) furring strips. They must be kiln-dried, straight, without splits or nail holes to ensure a proper fastening base.
- The sheathing membrane and flashing must be installed according to building codes and the manufacturer's instructions.
- Use approved exterior tape around windows, doors and any opening to ensure a tight seal with the sheathing membrane.

- i*** • Install flashing over the openings and in the areas where moisture drainage is needed. **The siding must be installed over furring strips or other maibec approved rainscreen to ensure airflow, allow for moisture drainage and reduce the risk of premature aging.**
- To keep insects out, you can staple screening at the base of the wall. Fold back and fasten over the furring strips before installing the first row of siding.
- Verify the structural integrity of the wall, making certain that it is solid, straight and ready for siding to be installed. Verify that the wall's moisture drainage is ensured by a properly installed sheathing membrane and appropriate flashing.

Allow a minimum clearance of:

- 8" (203 mm) from the ground,
- 1" (25 mm) from adjacent horizontal structures (e.g. deck),
- 2" (51 mm) from roof shingles.

Note: If you are using insulating concrete forms (ICF), foam sheathing or Home Slicker®, please contact maibec for technical assistance.



***i* important :** Must be followed. Failure to follow maibec's mandatory installation and storage requirements will void the warranties. Consult the building codes applicable to your region.

2 Before You Begin, Make Sure:

Carefully plan the distribution of the boards on the walls. First, check the tally on the pallet identifying the product and the number of boards in each length. Position boards over the wall area so as to limit the number of joints and cuts. Use longer boards above and below windows and on large areas. Use short segments for small areas such as spaces between doors and windows. Alternate board lengths to avoid joint alignment. Boards measuring 4 feet to 10 feet (1.22 m to 3.05 m) in length should be installed between boards measuring 11 feet to 16 feet (3.35 m to 4.88 m) in length.

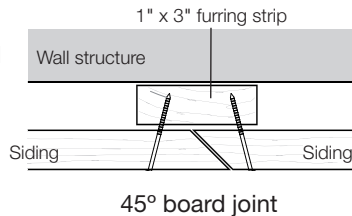
For a flawless finish, distribute the joints evenly on the entire surface.

- ⓘ Never install 2 boards longer than 12 feet (3.66 m) end to end.

3 End Joints

ⓘ End joint - board to board :

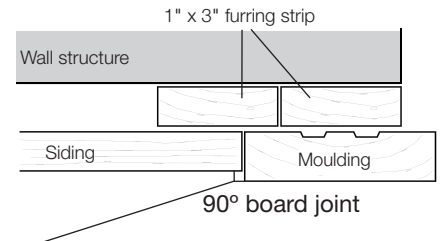
Join the boards, using a 45° angle bevel cut, placed evenly over a furring strip. Apply touch-up stain as recommended. No caulking necessary.



For the rabbeted bevel, you must cut on the hidden side of the board.

End joint - board to moulding :

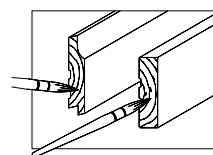
The board is cut at a 90° angle, butted to the moulding. Apply touch-up stain as recommended.



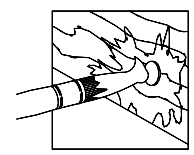
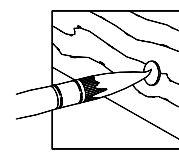
Apply caulking to the joint according to building codes and the manufacturer's recommendations.

4 Touch-Up Stain

- ⓘ Apply touch-up stain to all cut or planed surfaces and to all bare wood, even if it is not visible once the siding is installed. It is imperative to touch-up boards before they are installed. **Touch-up stain is only meant to be used in the area in need of it. It must not, under any circumstance, be applied over non-damaged factory coated material.** For more information, see the touch-up guide that comes with the touch-up stain cans or go to www.maibec.com.



Apply precisely



Do not spillover or overbrush

5 Nailing and Furring Strips

ⓘ Recommended nails

Use maibec double hot dipped zinc galvanized ring shank nail with textured head, factory-stained to match the siding colour.

Lengths*:

- 2" (51 mm) for siding and 1" fascia,
- 3" (76 mm) for all other regular mouldings and the batten (board and batten profile),
- 2 ½" (64 mm) coil nails for pneumatic nailers for siding and mouldings. Make sure to check nail gun compatibility. Not colour-matched.

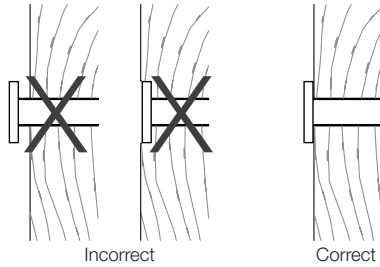
You may use another fastener, but it must respect the maibec requirements. For details, please contact maibec.

* Ensure nails have a minimum penetration of 1 ¼" (30 mm) in a solid substrate.

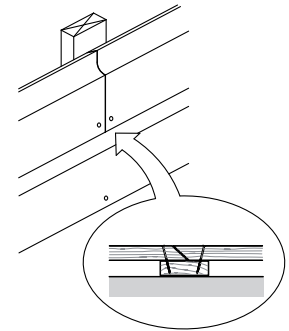
- ⓘ **important** : Must be followed. Failure to follow maibec's mandatory installation and storage requirements will void the warranties. Consult the building codes applicable to your region.

i Nailing and Furring Strips (continued)

The nail must be driven so that the head sits flush on the wood's surface.



Each end on a board joint must be nailed on a 45° angle, independently of one another.



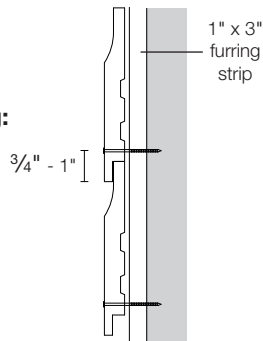
Use 1" x 3" (25 x 76 mm) furring strips. They must be kiln-dried, straight, without splits or nail holes to ensure a proper nailing base. Ensure nails have a minimum penetration of 1 1/4" (30 mm) in a solid substrate. For other rainscreen options, please contact maibec.

i Horizontal Installation. Vertical Furring Strips.

Nail furring strips vertically on 16" centres for horizontal installation.

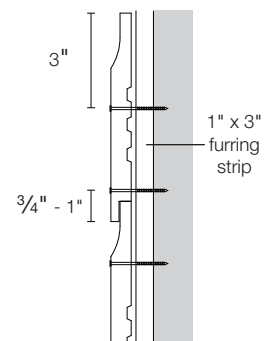
Nailing 1" x 4" and 1" x 6" siding:

One nail every 16" (406 mm), 3/4" to 1" (19 mm to 25 mm) from the base of the board.



Nailing 1" x 8" siding:

Two nails every 16" (406 mm), one at 3/4"-1" (19 mm to 25 mm) from the base and the other one at 3" (76 mm) from the top edge.

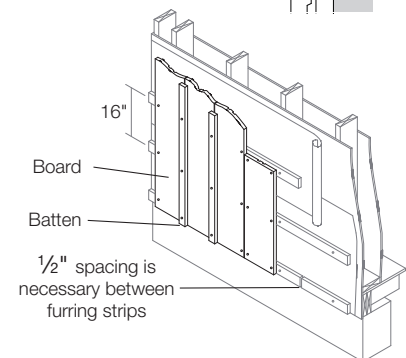
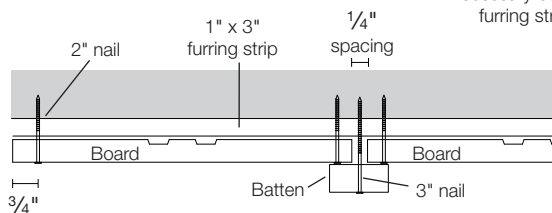


i Vertical Installation. Horizontal Furring Strips.
1" x 8" and 1" x 10" Profiles

When installing 1" x 8" and 1" x 10" siding, nail support furring strips horizontally on 16" (406 mm) centres. Leave a 1/2" (13 mm) gap where furring ends meet, to favour continuous air flow and moisture drainage.

Board and batten:

Fasten the board every 16" (406 mm) vertically, 3/4" (19 mm) from the edge. Leave a 1/4" (6 mm) gap between each board. For the batten, fasten into the middle of the furring strip.

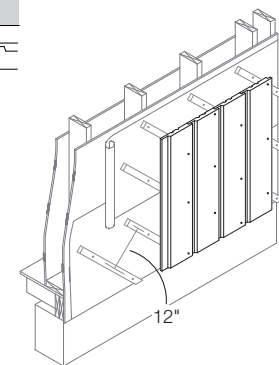


i Other Vertical or Diagonal Installation. Diagonal Furring Strips.

A diagonal furring strip pattern is used when installing 1" x 4" and 1" x 6" V-Joint or Channel profiles vertically or diagonally. This type of furring placement is also useful when sidings are installed both horizontally and vertically within the same wall surface.

Nail furring strips diagonally on 12" centres (at a 45° angle).

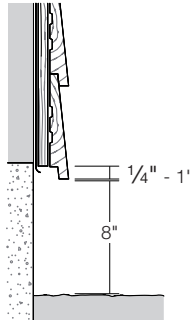
For nail position, refer to the « Horizontal Installation » section.



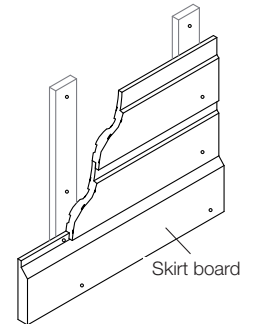
i important : Must be followed. Failure to follow maibec's mandatory installation and storage requirements will void the warranties. Consult the building codes applicable to your region.

6 Starter Course

- i** To properly repel water from the wall, the starter board must extend past the furring strip by $\frac{1}{4}$ " (6 mm), but must not exceed 1" (25 mm). The board must have a minimum clearance of 8" (203 mm) with the ground surrounding the building. The siding should never touch the ground.

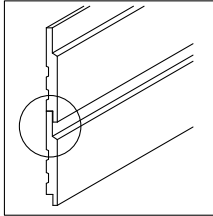


You can also use the maibec skirt board as a starter course. It is adapted to fit with all maibec horizontal profiles.

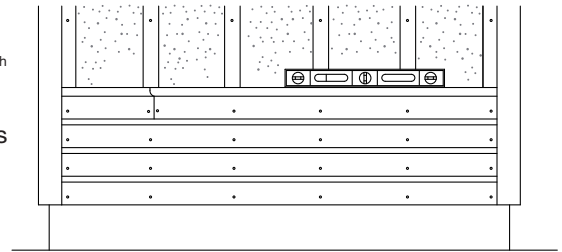


7 Subsequent Courses

Set boards tightly into one another.



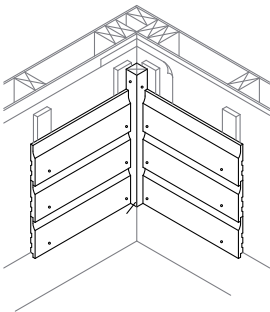
Using a level, verify the alignment every 3rd or 4th row. A variance of $\frac{1}{16}$ " to $\frac{1}{8}$ " between boards is considered normal.



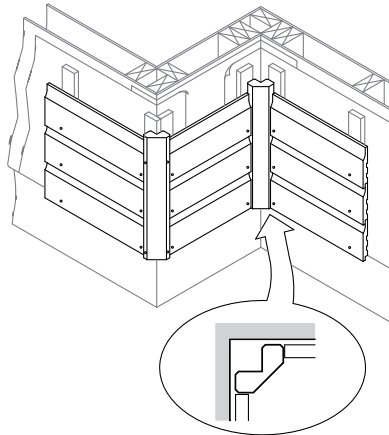
8 Corner Finish Details

Here are a few ways to install mouldings:

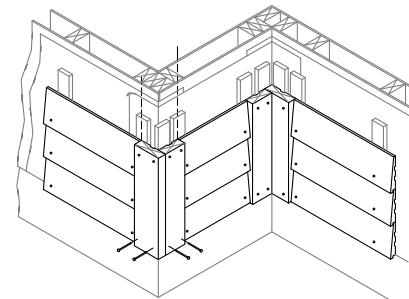
Inside Corner



Universal Corner

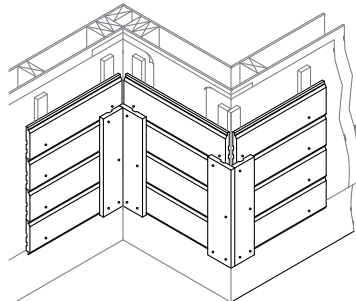


2" Inside or Outside Corner

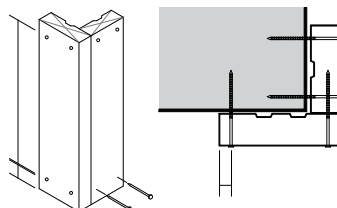


Corner, door and window mouldings must be installed before the siding is installed (unless using 1" fascia - call us for details).

1" Fascia



i Nailing Mouldings



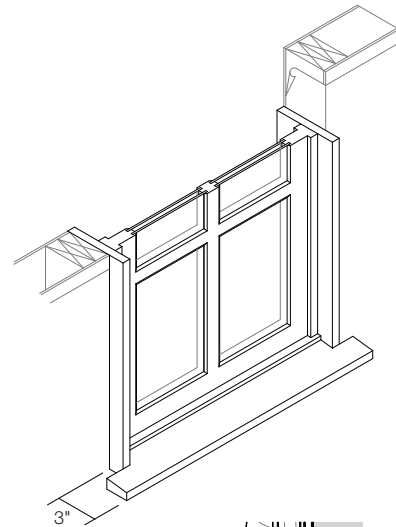
Every 16" (406 mm), fasten 2 nails $\frac{3}{4}$ " to 1" (19-25 mm) from each edge.

i important : Must be followed. Failure to follow maibec's mandatory installation and storage requirements will void the warranties. Consult the building codes applicable to your region.

9 Window or Door Finish Details

1. Choosing a Window or Door

- If you plan to install maibec window mouldings, you must properly set the window or door depth according to the thickness of the furring strips (strapping), the chosen siding and the moulding. It is important that the moulding does not extend too far past the window frame in areas where water can accumulate (header and sill). See the diagrams in #3 of this section.
- If the siding butts to the frame, the frame must be as deep as the thickness of the wall plus the thickness of the siding.

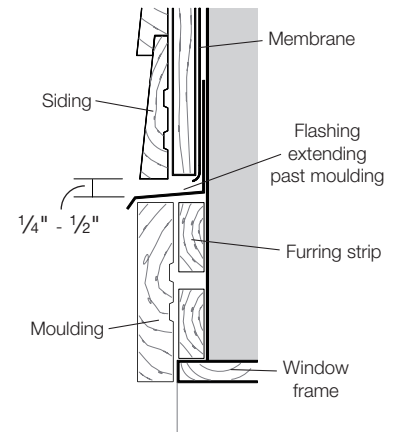


i 2. Header Flashing

Steel flashing is essential to avoid water infiltration. It must be installed so that it covers and extends beyond the header moulding that will later be installed.

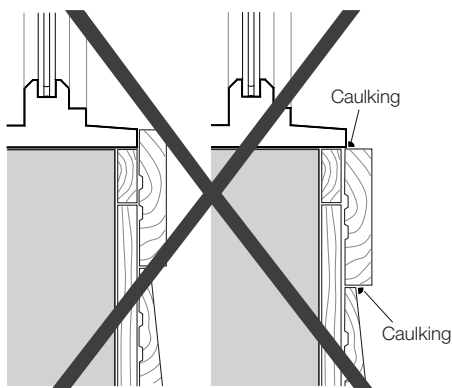
Leave a 1/4" to 1/2" (6 to 13 mm) space between the siding and the flashing for effective water drainage.

The drawing shows a flashing with a 2" inside or inside corner. If you use a 1" fascia, please contact maibec for details.



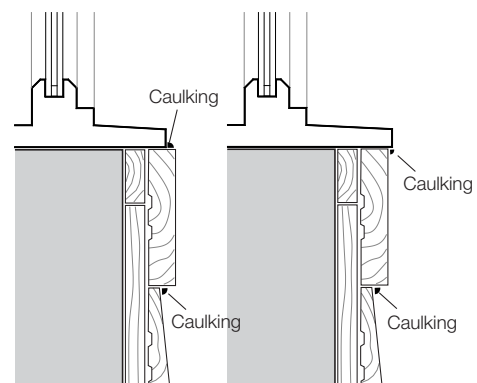
i 3. Siding Installation

Install the siding only after the mouldings have been installed.



Incorrect

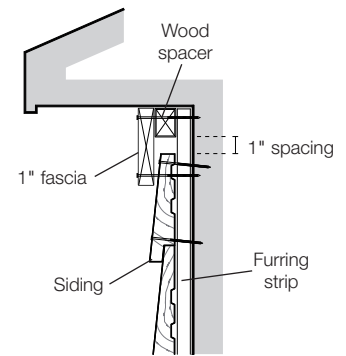
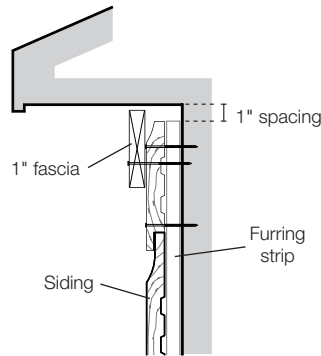
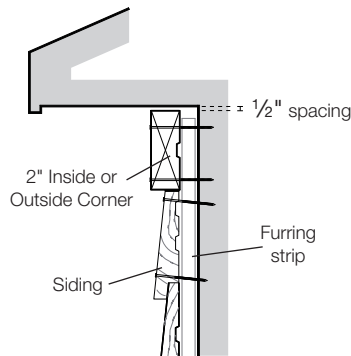
All flat horizontal surfaces (such as a window sill trim) are prone to water or snow accumulation. The use of flashing, caulking or a miter cut on the trim is necessary to prevent this accumulation.



Correct

In these applications, the window sill trim is not subject to water or snow accumulation.

10 Top of The Wall Finish Details



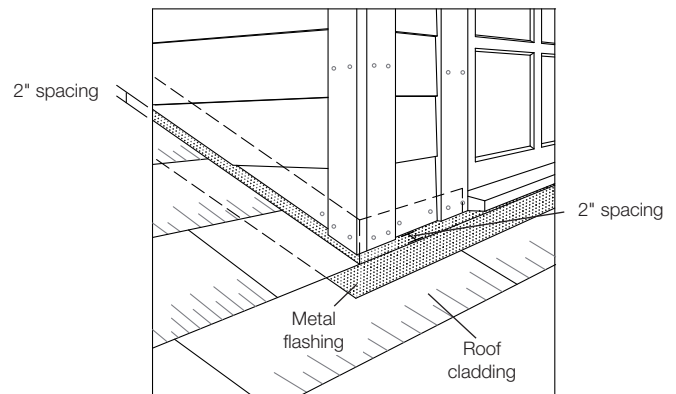
The typical way to finish the top of a wall is to install a moulding and have the siding butt directly to it. This is traditionally done when the siding piece is wide enough to accommodate 2 nails. A 4" (102 mm) wide siding piece is the norm for this type of application. To facilitate air flow behind the siding, it is important to leave a 1/2" (13 mm) gap between the moulding and the soffit.

Another way of finishing the top of a wall is to place a 1" fascia board (actual 5/8" or 16 mm) over the installed siding. This is typically called « capping ». A wood spacer is sometimes needed behind the fascia for a proper flush setting, as is the case with the rabbeted bevel. To facilitate air flow behind the siding in this application, it is important to leave a 1" (25 mm) gap between the last siding piece and the soffit.

11 Dormer/Roof Junction Finish Details

- i** The siding must be spaced at least 2" (51 mm) when it ends adjacent to the roof surface.

The spacing is necessary to properly drain water and prevent the build-up of ice against the siding.



Maintenance

- As with all sidings, dirt build-up can occur; this could be due to a number of factors such as surrounding vegetation, dust or air pollution.
- Periodic cleaning can be required. Wash down with a hose or a mild detergent to avoid damaging the stain. Do not use a pressure washer. Contact us for more details.
- **See the maibec Sidings Maintenance Guide for details.**

i important : Must be followed. Failure to follow maibec's mandatory installation and storage requirements will void the warranties. Consult the building codes applicable to your region.

1.800.363.1930
maibec.com

250 – 1990, 5^e Rue, Saint-Romuald QC G6W 5M6 Canada