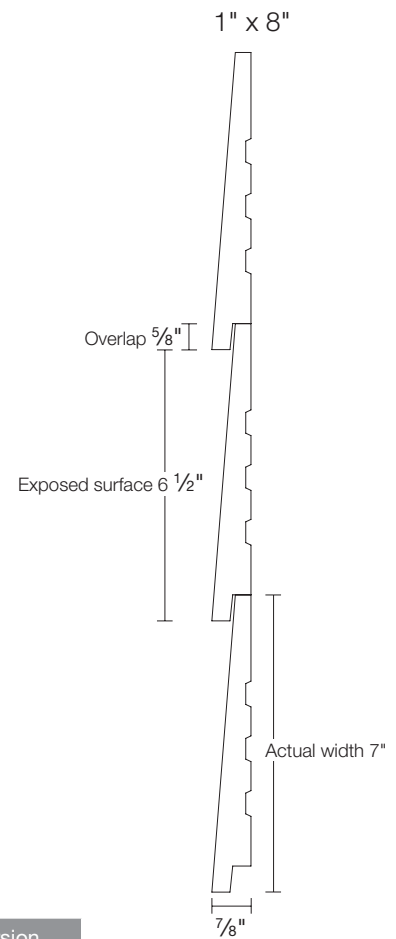
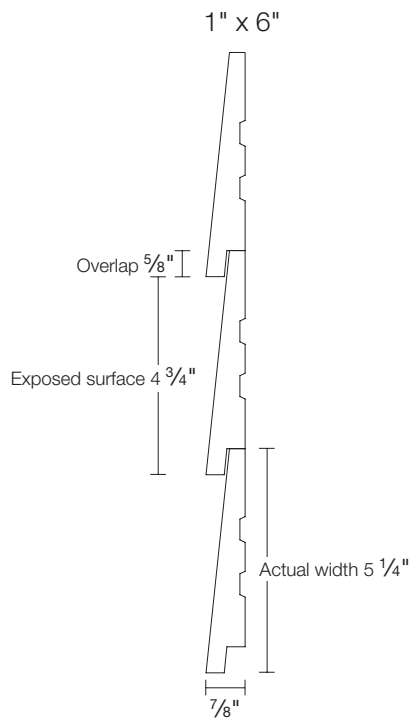
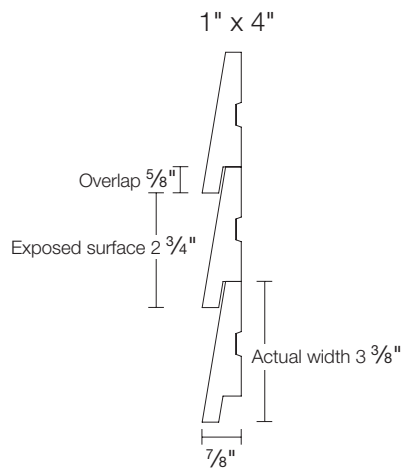
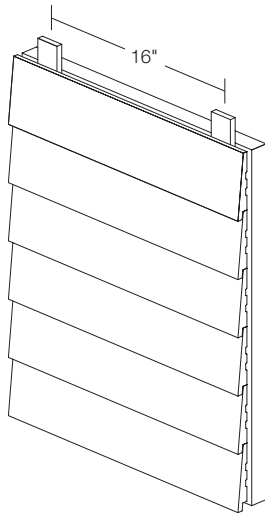


Rabbeted Bevel



Nominal dimensions	Actual dimensions	Overlap	Exposed surface	Conversion factor
1" x 4"	$\frac{7}{8}$ " x $3 \frac{3}{8}$ "	5/8"	2 3/4"	1.45
1" x 6"	$\frac{7}{8}$ " x $5 \frac{1}{4}$ "		4 3/4"	1.26
1" x 8"	$\frac{7}{8}$ " x 7"		6 1/2"	1.23

