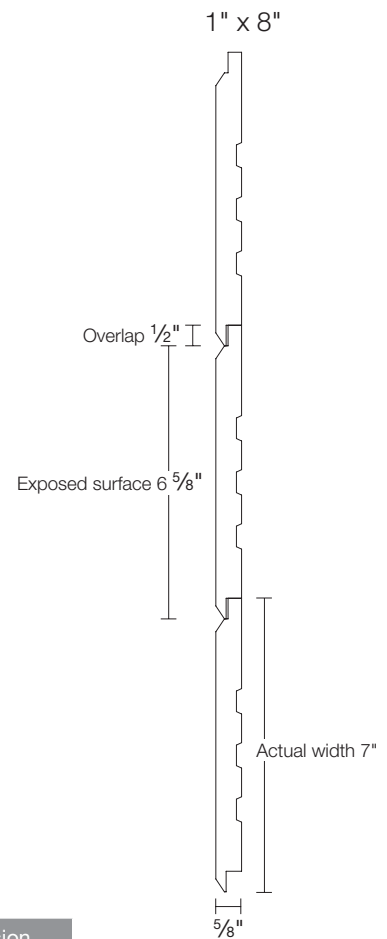
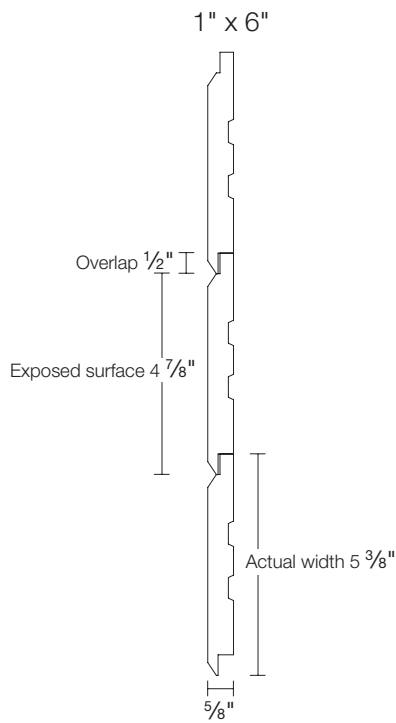
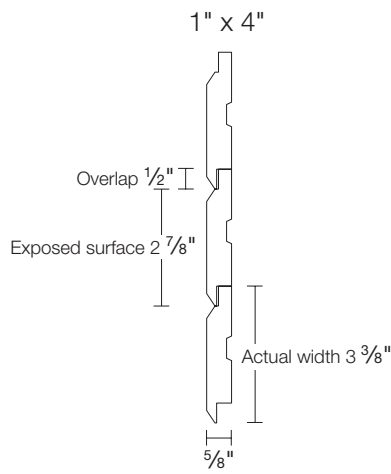
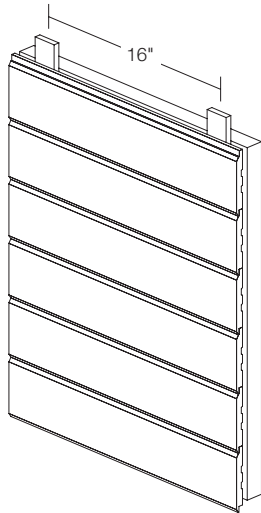


V-Joint



Nominal dimensions	Actual dimensions	Overlap	Exposed surface	Conversion factor
1" x 4"	5/8" x 3 3/8"	1/2"	2 7/8"	1.45
1" x 6"	5/8" x 5 3/8"		4 7/8"	1.26
1" x 8"	5/8" x 7"		6 5/8"	1.23

