

Installation Guide

Some assembly required. But not much.

maibec's cedar strips are engineered to offer a more efficient way of installing shingles, without compromising the look or traditional integrity of the home. The systematic design guarantees the alignment of keyway spacing over three successive courses, so shingles go up fast and look great. Available in Nantucket and Kennebunk shingles.

Reduce installation time by up to 60%.

When using the pre-assembled strip, it is recommended to order a portion of the required quantity as individual shingles in order to reduce material waste when installing around windows and doors, in gables and corners. See the individual shingle installation guide for more general information.

Apply touch-up on all cuts, planed edges, and small damaged areas. All bare wood must be touched-up, regardless of whether it is visible or not once installed. Touch-up on cuts must be performed prior to shingle installation. Use a small brush that will ensure better control and a more precise application. **Touch-up stain is only meant to be used in the area in need of it. It must not, under any circumstance, be applied over non-damaged factory coated material.** For more information, see the touch-up guide that comes with the touch-up stain cans or go to www.maibec.com.

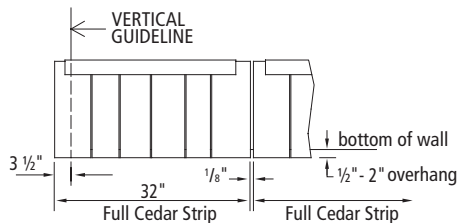
For exterior use only.



1 Undercourse

A) Vertical Guideline

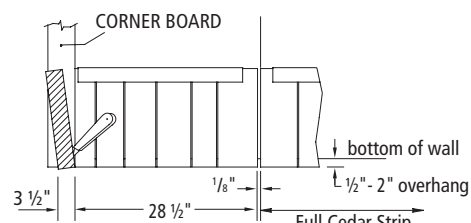
Shift the undercourse strip $3\frac{1}{2}$ inches beyond the vertical guideline.



Note: Install the undercourse $\frac{1}{4}$ " to $\frac{1}{2}$ " above the buttline of the first course.

B) Corner Board

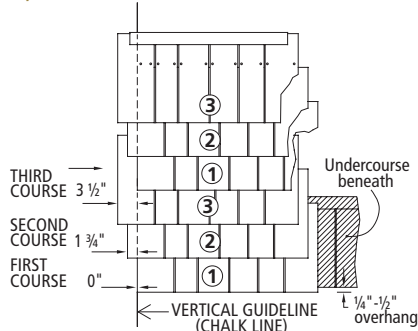
Trim $3\frac{1}{2}$ inches to butt against a corner board.
Continue installing undercourse strips along the wall.



Note: Install the undercourse $\frac{1}{4}$ " to $\frac{1}{2}$ " above the buttline of the first course.

2 Successive Course Patterns

A) Vertical Guideline



Install Cedar Strips following the three course sequence shown above to maintain offset shingle joints (keyway) through the three courses.

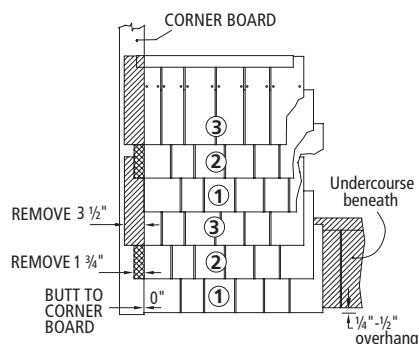
FIRST COURSE: Align full strip with guideline.

SECOND COURSE: Shift full strip $1\frac{3}{4}$ " from guideline.

THIRD COURSE: Shift full strip $3\frac{1}{2}$ " from guideline.

Repeat sequence.

B) Corner Board



Install Cedar Strips following the three course sequence shown above when starting courses against a corner board.

FIRST COURSE: Align full strip with corner board.

SECOND COURSE: Trim $1\frac{3}{4}$ " from the corner board side of the strip.

THIRD COURSE: Trim $3\frac{1}{2}$ " from the corner board side of the strip.

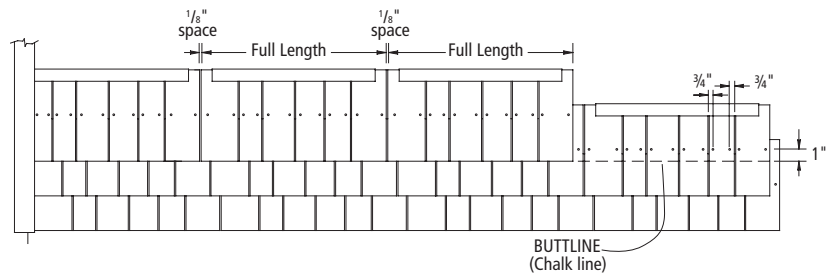
Repeat sequence.

i important: Must be followed. Failure to follow maibec's mandatory installation and storage requirements will void the warranties. Consult the building codes applicable to your region.

3 Installing Field Courses

- i** Snap a chalk line for each course to align the Cedar Strips. Space Cedar Strips at a nominal distance of $\frac{1}{8}$ " apart. Align the butt edge of the Cedar Strips with the chalk line and fasten.

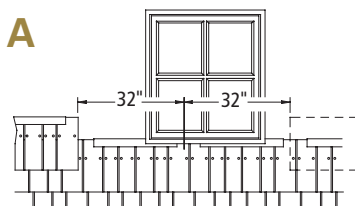
Always use full Cedar Strips when running out courses to keep the shingle joint offset. Follow the fastening pattern as shown in figure above.



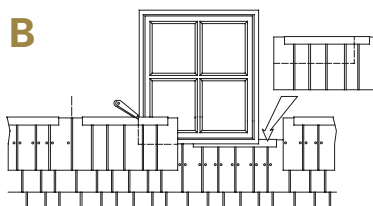
LOCATE FASTENERS: $\frac{3}{4}$ " from each edge and 1" above the buttlines of next course

Handy Tips for Installing Cedar Strips

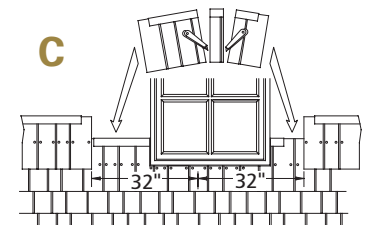
Shingling Around An Opening



Skip the Cedar Strips on either side of windows, doors or other obstructions and fill in the shingles after finishing out the course to the end of the wall.



Make certain to continue the 32" spacing of the Cedar Strips to maintain offset shingle joints offset between courses. Use a gauge stick marked out in 32" increments to quickly mark Cedar Strip spacings around openings.

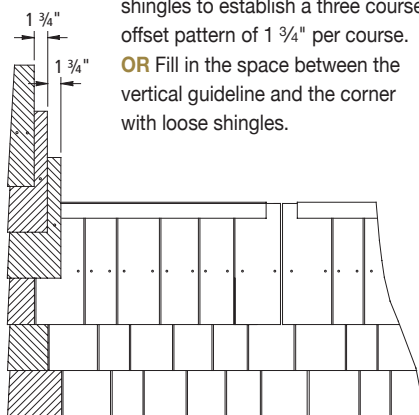


Use loose shingles or portions of Cedar Strips to fill in spaces around openings.

Weaving Corners

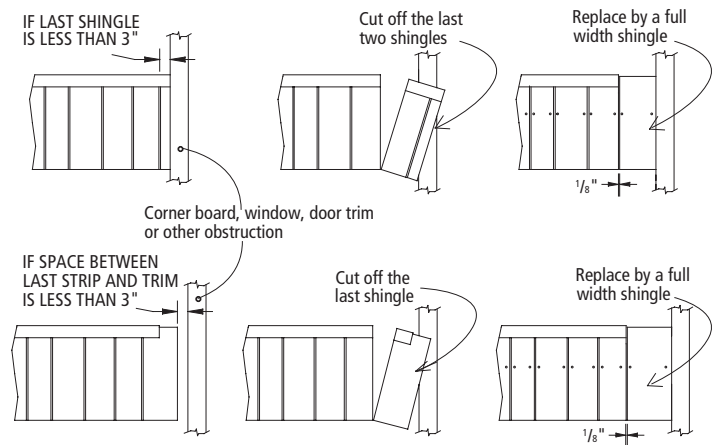
Use loose shingles to weave outside corners before installing Cedar Strips. **Tip:** Select or precut shingles to establish a three course offset pattern of $1\frac{3}{4}$ " per course.

OR Fill in the space between the vertical guideline and the corner with loose shingles.



Ending Shingles

Make certain the end shingle is at least 3 in. wide against a corner board, window or door trim, or other construction.



- i important:** Must be followed. Failure to follow maibec's mandatory installation and storage requirements will void the warranties. Consult the building codes applicable to your region.