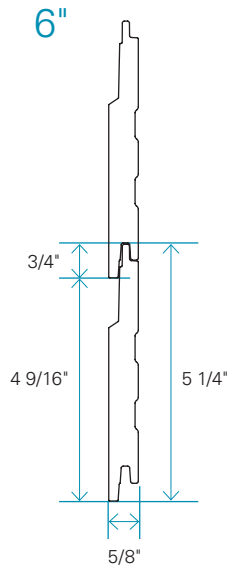


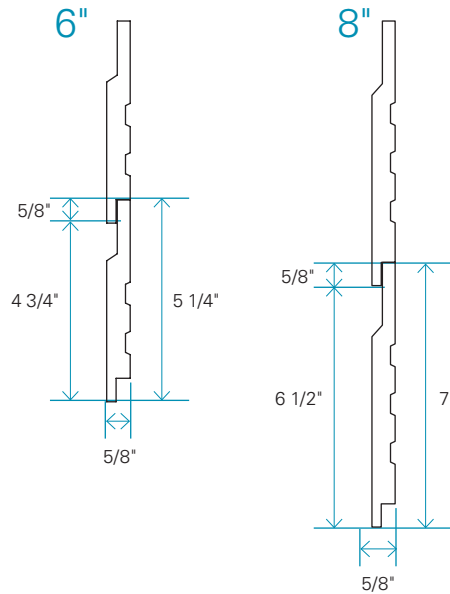
# Channel

## TEXTURED FINISH

EM+® INSTALLATION SYSTEM



REGULAR INSTALLATION SYSTEM



NOMINAL DIMENSIONS	INSTALLATION SYSTEM	FINISH	ACTUAL DIMENSIONS	OVERLAP	EXPOSED SURFACE	CONVERSION FACTOR	INSTALLATION
6"	Regular	Textured	5/8" x 5 1/4"	5/8"	4 3/4"	1.26*	Horizontally and vertically**
	em+®	Textured	5/8" x 5 1/4"	3/4"	4 9/16"	1.31*	Horizontally and vertically**
8"	Regular	Textured	5/8" x 7"	5/8"	6 1/2"	1.23*	Horizontally and vertically**

## General Specifications

### SPECIES

- Spruce - Fir (SPF) / Sound tight knot

### MANUFACTURING

- Kiln-dried (KD) between 12% to 16% humidity.
- Available in a textured finish.

### PACKAGING

- 4' to 16' (1.22 m to 4.88 m) random lengths in bundles.

### AVAILABLE COLOURS

#### Textured finish

- Maibec Natural tones.
- Solid colours (2 coats). Unlimited choice of solid colours, with our TrueMatch® system.

### FACTORY-STAINING

- The stain is factory-coated on all six sides in a controlled environment for maximum stain absorption and retention. This also provides increased protection from the damaging effects of the sun and the elements.
- Low-volatile organic compounds (VOCs) water-based stains.



FSC® mixed sources certified siding available upon request.

For exterior use only.

\* SEE THE CALCULATION METHOD UNDER THE SUPPORT TAB MAIBEC.COM

\*\* THIS PROFILE CAN BE INSTALLED HORIZONTALLY, VERTICALLY OR DIAGONALLY. HOWEVER, VERTICAL AND DIAGONAL INSTALLATIONS MAY RESULT IN MORE VISIBLE STAPLES THAN A HORIZONTAL INSTALLATION.

# Channel

## Installation System

### STAPLES (FOR EM+® INSTALLATION SYSTEM)

- The siding is fastened to the wall using 2", 7/16" crown, 16 gauge, resin-coated stainless steel SUS 304 staples. The list of recommended pneumatic staplers is available on our website at [maibec.com](http://maibec.com) under the SUPPORT tab.
- 3,000 staples (1 box) needed per 1,000 fbm.

### NAILS

- Use Maibec 2" hot-dipped zinc galvanized or stainless steel flat textured head ring shank nails that are corrosion resistant and colour-matched to the siding or for the first and last course.
- A plastic hammer end cap is provided to protect the wood.
- 10 lbs needed per 1,000 fbm.

For the Îles-de-la-Madeleine and coastal regions†, see the Installation guide available on our website at [maibec.com](http://maibec.com) under the SUPPORT tab.

## Installation

Maibec® siding must be installed over a standard 16" (406 mm) on centre stud built wall with OSB (Oriented Strand Board) sheathing or plywood, and an approved breather membrane. Use 1" x 3" (25 x 76 mm) furring strips. They must be kiln-dried, straight, without splits

or nail holes to ensure a proper fastening base. Consult the building codes applicable in your region. See the Installation guide available on our website at [maibec.com](http://maibec.com) under the SUPPORT tab.

## Complementary accessories

### METAL OUTSIDE CORNER

With its sleek design, our metal outside corner is the perfect finishing touch for the Maibec URBANH™ Series. Made of aluminium, it comes in 10' lengths.

### METALLIC STARTER TRIMS

Stainless steel vent trim installed over the strapping. Serves as an anti-rodent barrier, provides proper ventilation to the wall while also eliminating the use of nails on the starter course of Maibec em+® siding. Can also be used with regular siding. Comes in 10' lengths.

### MAIBEC EM+® STAPLER GUIDE

Compatible only with HITACHI™‡ N5008 (AC 1" and AC 2"), MAKITA™‡ (AT1150A), SENCOTM‡ (SNS50XP, SNS45XP, SNS44XP) staplers.

### WARRANTY\* – SIDING TEXTURED FACE



\* SOME RESTRICTIONS APPLY. SEE DETAILED WARRANTIES.

† APPLICABLE COASTAL REGIONS INCLUDE THOSE LOCATED LESS THAN 600 M (2,000 FEET) FROM THE COASTLINE IN THE ATLANTIC PROVINCES (NEW BRUNSWICK, PRINCE EDWARD ISLAND, NOVA SCOTIA, NEWFOUNDLAND AND LABRADOR), SAINT-PIERRE-ET-MIQUELON, AND IN THE U.S. EAST COAST STATES.

‡ THE MENTIONED TRADE-MARKS ARE THE PROPERTY OF THEIR RESPECTIVE OWNERS.

© REGISTERED TRADE-MARK PROPERTY OF MAIBEC INC. TM TRADE-MARK PROPERTY OF MAIBEC INC.  
© COPYRIGHT - MAIBEC INC. PRINTED IN CANADA FEBRUARY 2016 A1616300A