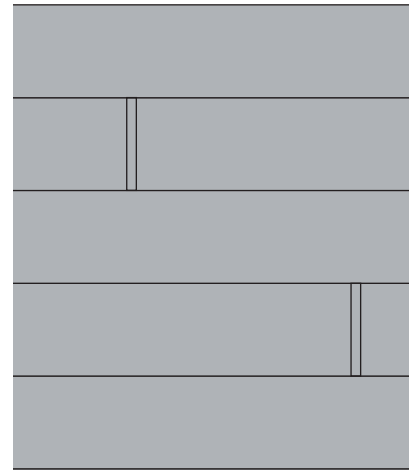
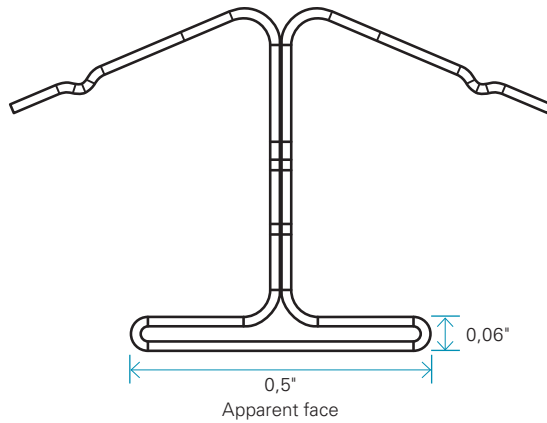


# "H" Joint Molding

6" and 8"



SUBSTRATE	FINISH	LENGTH	INSTALLATION
Aluminum	Textured and smooth	6"	Vertically
Aluminum	Textured and smooth	8"	Vertically

## General Specifications

Aluminum "H" Joint Molding used to hide the gap between two runs of Maibec Resistech™ lap siding. Substitute to sealant joints between lap siding boards. Offer a solution for custom color joints.

### PACKAGING

- Sold in pack of 20 moldings.

### AVAILABLE COLORS

- Maibec solid stain color chart (textured and smooth)
- Maibec Resistech™ Natural tones (textured)
- Solid paint. Unlimited choice of solid colors, with our TrueMatch® system (textured and smooth)

For exterior use only.

### INSTALLATION

- Leave a spacing of 1/4" between 2 laps siding. This spacing is necessary for the installation of the "H" joint molding.

### RATIO\*

- Allow 80 6" H-joint moldings for 1 000 sq. ft. of 6" lap siding.
- Allow 60 8" H-joint moldings for 1 000 sq. ft. of 8" lap siding.

\* These ratios are for indication purpose and may vary based on the building architecture.