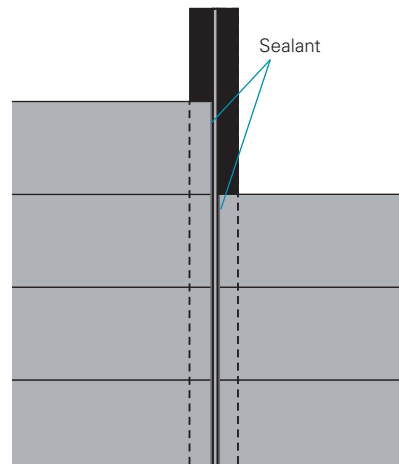
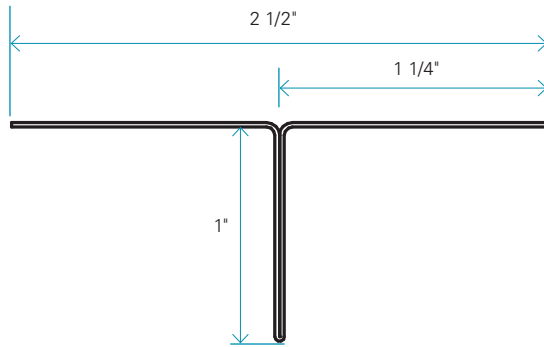


# "T" Transition Trim



FINISH	ACTUAL DIMENSIONS	LENGTH	INSTALLATION
Steel	2 1/2" x 1"	10'	Vertically

## General Specifications

Steel "T" transition trim, used to join 2 sections of Maibec Resistech™ siding. Requires the application of sealant between the trim and the siding.

### PACKAGING

- Pieces of 10'

### AVAILABLE COLOR

- Black

For exterior use only.

### INSTALLATION

- Leave a spacing of 1/4" between the lap siding and the bottom of the "T" transition trim.