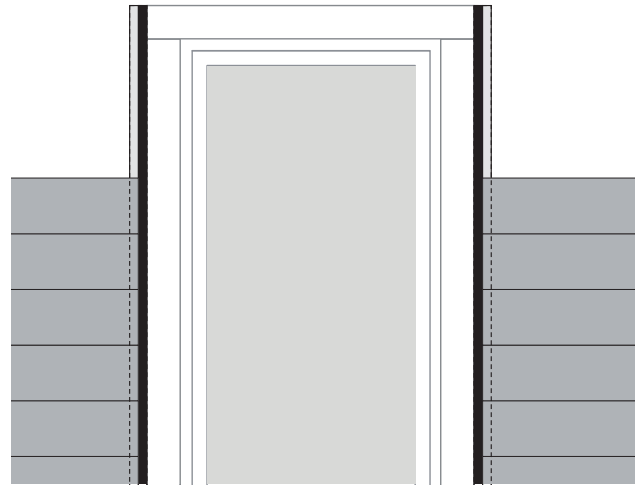
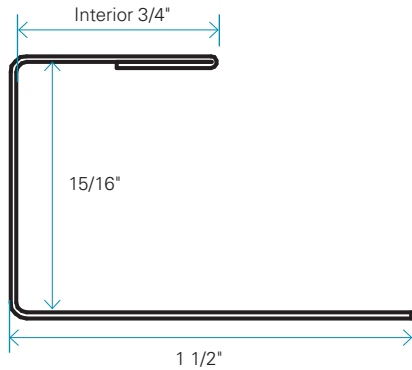


"C" Transition Trim



FINISH	ACTUAL DIMENSIONS	LENGTH	INSTALLATION
Steel	3/4" x 15/16"	10'	Vertically

General Specifications

Steel "C" transition trim, used for finition between Maibec Resistech™ lap siding and openings. Does not require the application of sealant between the transition trim and the siding.

PACKAGING

- Pieces of 10'

AVAILABLE COLOUR

- Black

For exterior use only.

INSTALLATION

- Leave a spacing of 1/4" between the lap siding and the bottom of the "C" transition trim.